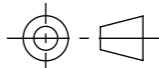



DRAWN	Pleuni Bongers	DATE	12-7-2024		TITLE:	Corten 3mm	
REVISION					Drawing:	CRCN3_500_1000	A3
		Liessentstraat 4, 5405 AG Uden (NL). † 0031 (0)413 - 27 41 68. e info@adezz.com, i www.adezz.com		Color:	-	Mass (kg):	30,09
				SCALE:1:10	SHEET 1 OF 8		